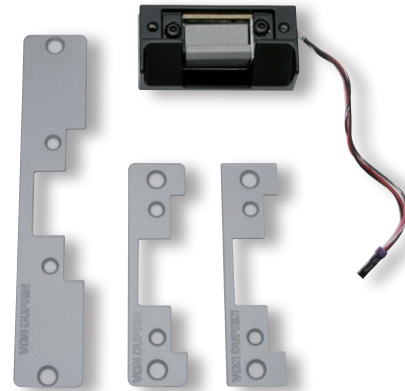


## VON DUPRIN

# 5100 & 6200 Series

## Electric Strikes



Von Duprin is the leading manufacturer of premium, heavy-duty electric strikes which are known for their reliability, durability and security. Electric strikes provide remote release of a locked door, allowing the door to be opened without retracting the latchbolt. Remote access enabled through the release of an electric strike lip (sometimes called a keeper or a gate). When the door closes, the bevelled latchbolt rides over the lip and falls into the electric strike pocket.

### 5100 Series

The Von Duprin 5100 Series electric door strike has been designed to offer flexibility and convenience for locksmiths and security professionals alike. This easy-to-install electric strike was created for medium-duty applications, specifically to control traffic flow through interior and exterior openings in retail and commercial environments.

### 6200 Series

The Von Duprin 6200 Series strikes are designed to withstand a very heavy workload. Their high quality stainless steel construction is very hard-wearing and designed for use with a variety of mortice or cylindrical locksets.

## Features

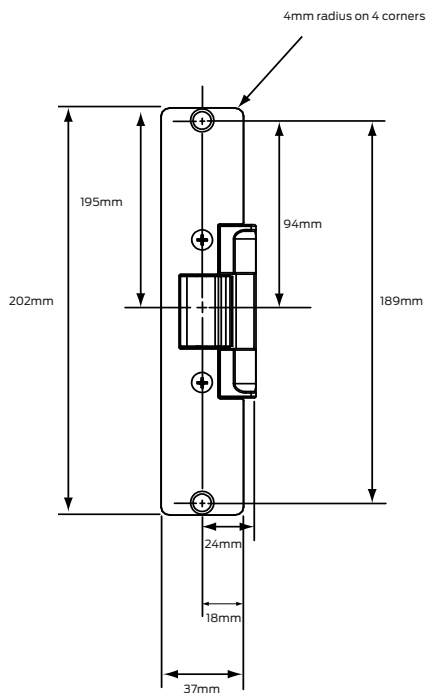
- Developed with Von Duprin's high standards and engineering expertise
- Non-handed
- 12VDC or 24VDC
- Fail secure (FSE) or fail safe (FS) select ability
- Strike box is adjustable to compensate for any misalignment of the door or frame
- Two piece plug connectors for ease of installation and for removal during strike servicing
- Heavy-duty stainless steel construction
- Tested to over 1,000,000 cycles
- 455kg to 680kg holding strength
- 32kg impact strength
- Tamper resistance design

# Specification guide

Prefix	Model
VDE	5100 ..... 10068

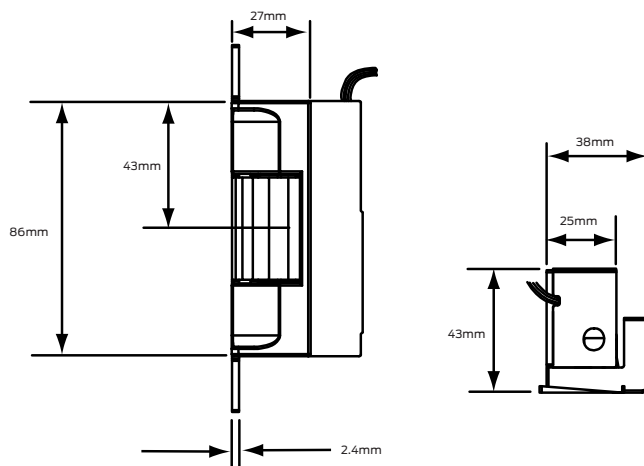
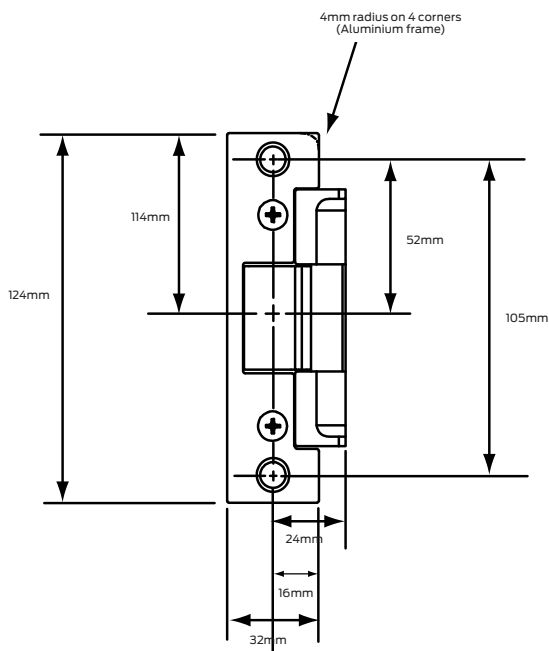
- Prefix  
All codes are prefixed with..... VDE
- Model  
Select the desired model - e.g. 5100 ..... VDE10068

## 5100 Series electric strikes



- The solenoid has four wires, allowing you to configure the strike at the job site so you can use it in either 12 or 24 volt DC applications
- Easily changeable between fail-safe and fail-secure in the field without the need for additional parts
- 3mm horizontally adjustable keeper. This mechanism, allows the installer to adjust the strike where a door and frame are not properly aligned or where weather stripping is causing too much pressure on the strike
- 3 face plates included for hollow metal, wood or aluminium frames
- Retrofit kit
- Fail safe/fail secure

Specifications	12V	24V
Resistance in Ohms±10% @ 70°F	32	128
Power (watts)	4.5	4.5
Current (amps)	.38	.19
Holding strength	454kg	454kg
Impact strength	32kg	32kg
Warranty	1 year	1 year



## Specification guide

Prefix

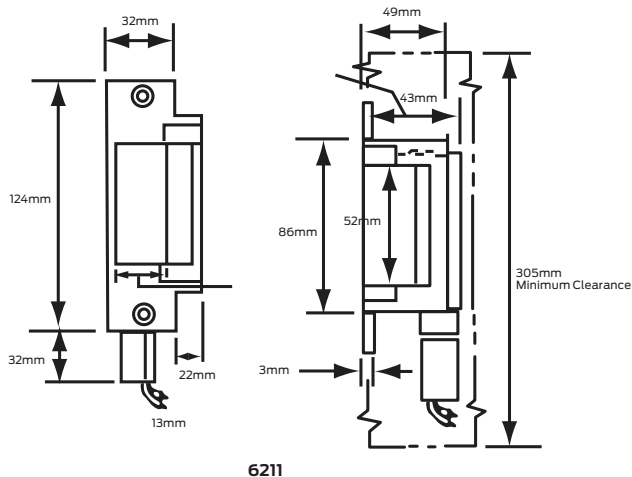
VDE

Model

6211 DS FS metal frame 12v .....	11851
6211 DS FS metal frame 24v .....	11853
6211 DS FSE metal frame 12v .....	11852
6211 DS FSE metal frame 24v .....	11854
6211WF DS FS 24v .....	11849
6211WF DS FSE 12v .....	11848
6211WF DS FSE 24v .....	11850
6211AL DS FSE 24v .....	10112

- Prefix  
All codes are prefixed with..... VDE
- Model  
Select the desired model - e.g. 6211 DS FS 12v ..... VDE11851

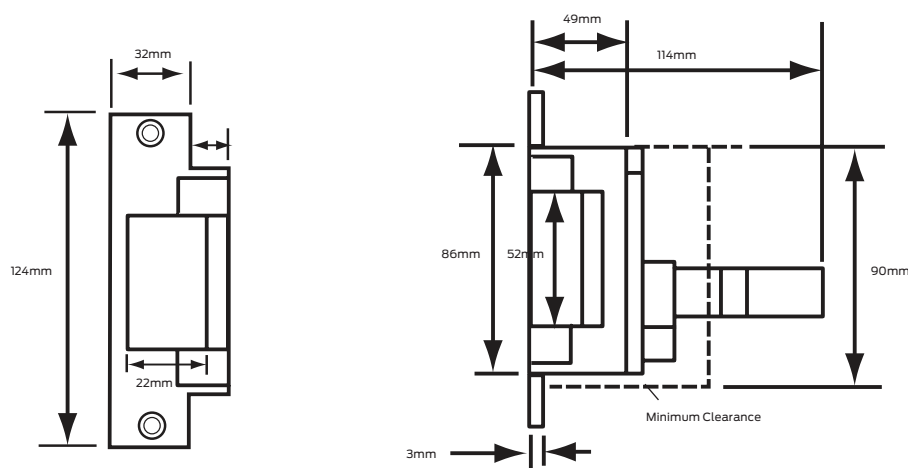
### 6200 Series electric strikes



6211

- 6211 - Electric strike for use on new installations with mortice locks (without deadbolt or cylindrical locks) on single door, hollow metal frame applications
- 6211WF - Electric strike for use on new installations with mortice locks (without deadbolt or cylindrical locks) on single door, wood frame applications
- 6211AL - Electric strike for use on new installations with mortice locks (without deadbolt or cylindrical locks) on single door, aluminum frame applications
- DS - Dual monitor switches
- FS - Fail safe
- E - Entry buzzer

Specifications	12V	24V
Resistance in Ohms $\pm$ 10% @ 21°C	21	82
Watt-seated @ 21°C	7.5	8
Amps-seated @ 21°C	.6	.33
Amps-inrush @ 21°C	.6	.33
Warranty	1 year	1 year



6211WF

